

Thermo Air Velocity Transmitter TSF14R

Taishio

FEATURES

- Hot wire mass flow transmitter
- Temperature compensation, linear adjustment function
- Switching analogue output by dip switch
- The housing and probe material are PC fire-proof

APPLICATION

- Monitoring air and flow for industrial process / HVAC / building / factory



Input

sensor	Hot wire mass flow transmitter
air velocity max measuring range	0 ... 20 m/s
air velocity min. measuring range	0.2 m/s

Output

output	4 ... 20 mA / DC 0 ... 10V
signal connection	3-wire
load resistance	current output : $\leq 500\Omega$; voltage output : $\geq 10K\Omega$
reaction time	$t_{90} \leq 5 \text{ sec}$ (T: 90%)
angular dependence	<3% measuring value (with < 10° angle)

Accuracy (+ 25°C)

accuracy	$\pm 3\%$ F.S.(nonlinear error, hysteresis error, repeatability error)
thermal sensitivity temp. error	0.3 % / °C

Environment

media & temperature	air : 0 ... 50°C
working temperature	0 ... 50°C
environment humidity	95 %RH (non-cond.)
storage temperature	-20 ... + 60°C

Electrical

power supply	DC 24 V & AC 12 ... 30V
current consumption	DC 24V : 120 mA / AC 12V : 350 mA / AC 24V : 180mA
overvoltage protection	DC : < 45V / AC : < 40V
electrical connection	terminal

Installation & Protection

installation; way to fix	duct / flange
protection degree	IP 54
electrical protection	☉ polarity protection ☉ over-voltage ☉ short circuit

Certification

Certification	CE
---------------	----

Material

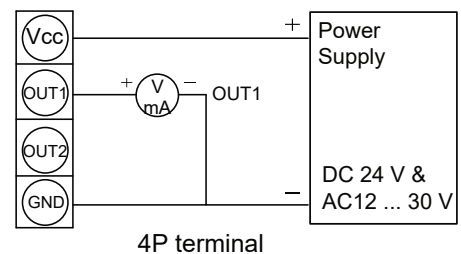
housing / probe	PC fire-proof (UL94V-2) / PC fire-proof
measuring head / cable	PC
weight	150g

** Please make sure the product and the device which connect with RS-485 are on common ground, avoid damaged the product.*

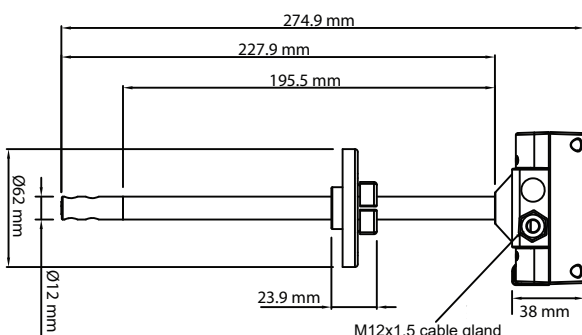
ORDERING GUIDE

TYPE	TSF	14	—	20	1	1	—	N
installation	duct	14	—					
range	20 m/s			20				
output	4 ... 20 mA 0 ... 10 V				1 6			
power supply	8 ... 35 VDC & 12 ... 30 VAC					1	—	
option	cable gland							N

CONNECTION DIAGRAM



DIMENSION



DIP SWITCH

Position	1	2	3	4	5
Function	Enable / Disable	Output type	Measuring Range	Measuring Range	Measuring Range
Status	ON	0-10V	20 m/s	20 m/s	20 m/s
	OFF	4-20mA			