

# Taishio

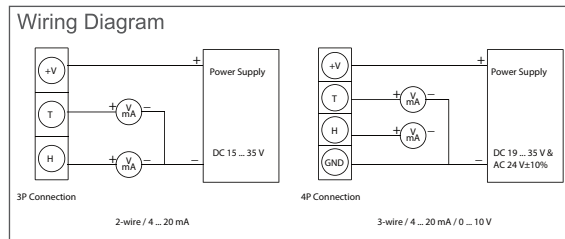
## Wall/Duct Type Temperature & Humidity Transmitter - TS130/140

### Features

- High-tech sensor component with high accuracy and long-term stability
- Economical choice, high C/P ratio
- Compact design, good look and easy to install

### Applications

- Monitoring of HVAC process, airconditioning, environmental ventilation control, storeroom, crisper, agriculture, food industry
- Environmental monitoring for building, factory, clean room, laboratory



### SPECIFICATIONS

#### Input

Input  
Measuring Range

Sensor type: MEMS Sensor  
Temperature : 0~50°C / Humidity : 0~100%

#### Output

Output  
Signal Connection

4~20mA / 0...10 V  
2-wire / 3-wire

#### Accuracy(at 25°C)

Temperature  
Humidity  
Temperature Influence  
Load resistance

±0.5°C  
±3%RH(30~80%)  
Max -0.15%RH /°C (0~80%)  
current : < 250 Ω  
voltage : ≥ 10KΩ  
≤ 10S

Response time t63 (at 15~45°C / 33~75%RH)

#### Environment

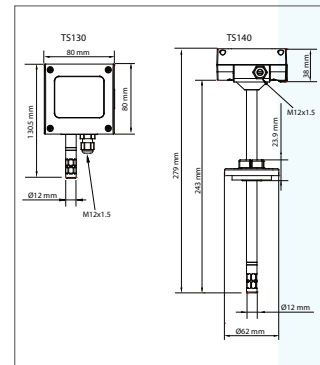
Media Measured  
Media Temperature / Humidity  
Storage Temperature  
CE Certification

Air  
0~50°C / 0~100%RH  
-20~60°C  
EN 61326-1:2013; Emissions CISPR11:2015 Group1 Class B  
Immunity IEC 61000-4-2:2008, IEC 61000-4-3:2006/A1:2007/A2:2010, IEC 61000-4-8:2009

#### Electrical Regulation

Power supply  
Consumption current  
Electrical Connection  
Installation  
Protection degree  
Electrical protection  
Housing  
Weight

DC 15~35V / DC 19~35V & AC 24V ±10%  
DC 80mA / AC 150mA  
2-wire : 3P connection; 3-wire : 4P connection  
Indoor for wall type / duct-mounting  
IP 54 (Sensor: IP 20)  
Polarity protection, over-voltage, short circuit  
PC fire-proof class (PC-110)  
TS130 : 113 g / TS140 : 135 g



### ORDERING GUIDE

TS	<input type="checkbox"/>	-	<input type="checkbox"/>	-	<input type="checkbox"/>	-	<input type="checkbox"/>	-	XX	-	<input type="checkbox"/>
Installation	Function	Output	Power Supply	Measuring Range	0~100%RH	Option					
130: Wall type 140: Duct type	A: Temperature & humidity output	1: 4-20mA (2-wire) 3: 4-20mA (3-wire) 6: 0...10 V (3-wire)	1: DC15~35 V (2-wire) 3: DC 19~35 V & AC24V ±10% (3-wire)	30: 0~50°C		N: none					