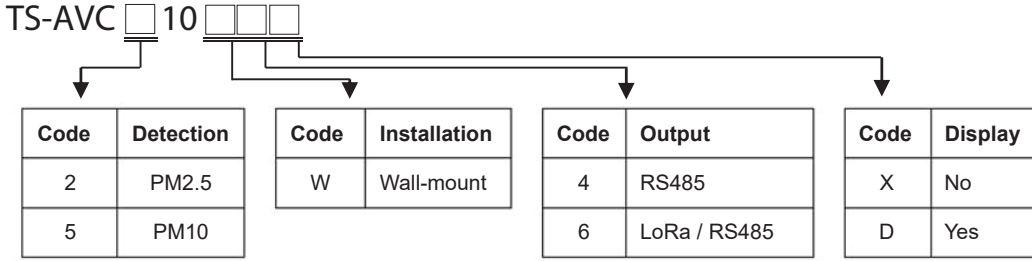


TS-ACV-210/510 Series

PM 2.5 / 10 Air Quality Transmitter

Taishio



■ Features

- High precision sensing element
- RS485, Modbus RTU
- LoRa (Peer to Peer) wireless transmission is available
- High reliability and stability and rapid response

■ Application

ACV210 / 510 transmitter is applied for indoor air quality monitoring and provides monitoring data as as reference for improving air quality. It can accurately measure particle matter (PM) and send detail data with RS485, Modbus RTU monitoring center or to HVAC system. The immediate action can be to trigger ventilation system or to activate air purifier to ensure better indoor air quality.

■ Specification

General

Display	0~ 600 µg/m3
Outputs	RS-485 (Modbus RTU), LoRa (Peer to Peer)
LoRa radio frequency band	862 ~ 932 MHz ⁽¹⁾
Power supply	DC 12V~36V, AC 24V (50/60Hz)
Current consumption	500mA (max)
Material	Fireproof ABS
Operating environment	-10~50°C(14~122°F) / 0~95%RH, non-condensation
Storage temperature	-10~50°C(14~122°F)
Certifications	CE and FCC ⁽²⁾

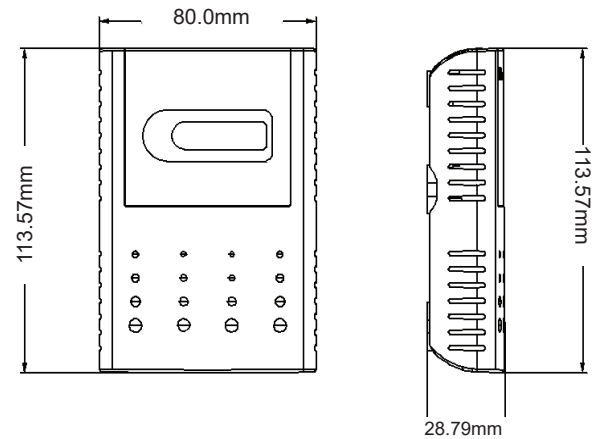
PM 2.5

Measurement method	Laser scattering method
Measurement range	0~ 600 µg/m3
Accuracy	0~ 100µg/m3(±10µg/m3) 100~ 600µg/m3 (±10%)
Response time	≤10 s
Counting efficiency	98@≥0.5um

PM 10

Measurement method	Laser scattering method
Measurement range	0~ 600 µg/m3
Accuracy	0~ 100µg/m3(±10µg/m3) 100~ 600µg/m3 (±10%)
Response time	≤10 s
Counting efficiency	98@≥0.5um

■ Dimension



Taishio

(1) The frequency channels will be differed by country and this frequency can be configured accordingly from 862 to 932Hz.
 (2) The certificate is not available to RS485/LoRa model.