

TS-ACV-210/510 Series

PM 2.5 / 10 Air Quality Transmitter

Taishio

TS-ACV 10 - M

Code	Detection
2	PM2.5
5	PM10

Code	Installation
D	Duct-mount

Code	Output
5	0-10V / 4-20mA

Code	Display
X	No
D	Yes



■ Features

- High precision sensing element
- High reliability and stability
- Rapid response
- CE & FCC certified

■ Application

ACV210 / 510 transmitter is applied for indoor air quality monitoring and provides monitoring data as as reference for improving air quality. It can accurately measure particle matter (PM) and is equipped with switchable analog outputs, 0-10V / 4-20mA, which can be used for real time monitoring or to control ventilation system.

■ Specification

General

Display	0~ 600 µg/m ³
Outputs	0 - 10V / 4-20mA switchable
Power supply	12V~36VDC, AC 24V (50/60Hz)
Current consumption	500mA (max)
Material	Fireproof ABS
IP Rating	IP65
Operating environment	-10~50°C(14~122°F) / 0~95%RH, non-condensation
Storage temperature	-10~50°C(14~122°F)
Certifications	CE and FCC ⁽²⁾

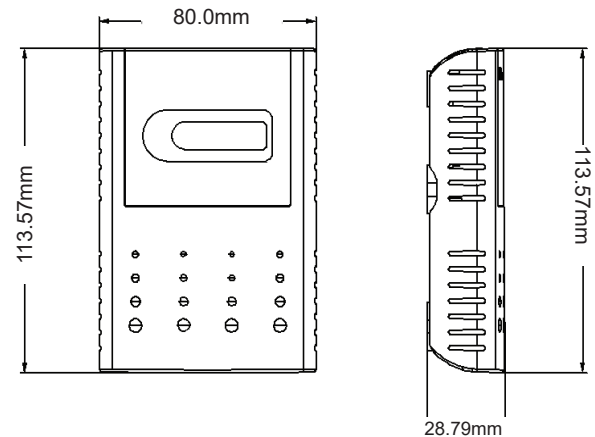
PM 2.5

Measurement method	Laser scattering method
Measurement range	0~ 600 µg/m ³
Accuracy	0~ 100µg/m ³ (±10µg/m ³) 100~ 600µg/m ³ (±10%)
Response time	≤10 s
Counting efficiency	98@≥0.5µm

PM 10

Measurement method	Laser scattering method
Measurement range	0~ 600 µg/m ³
Accuracy	0~ 100µg/m ³ (±10µg/m ³) 100~ 600µg/m ³ (±10%)
Response time	≤10 s
Counting efficiency	98@≥0.5µm

■ Dimension



(1) The frequency channels will be differed by country and this frequency can be configured accordingly from 862 to 932Hz.

(2) The certificate is not available to RS485/LoRa model.